

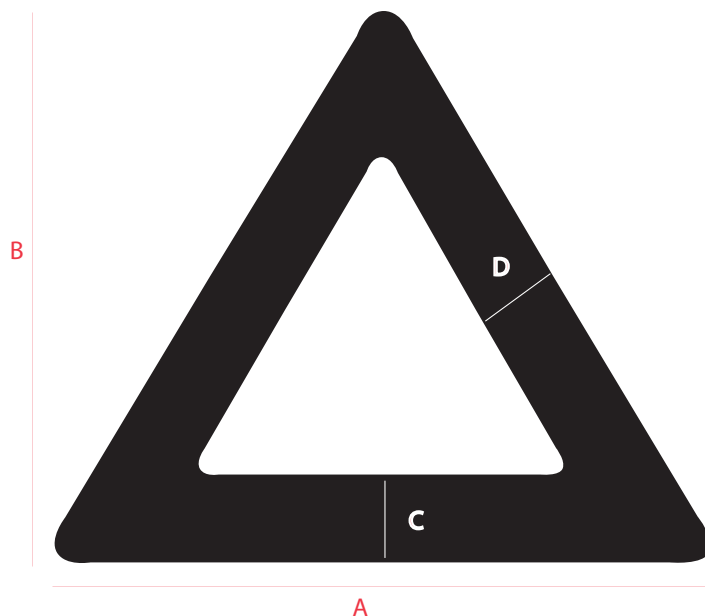


 **Industria**
de la **goma**

Suc de J. Morell S.A.

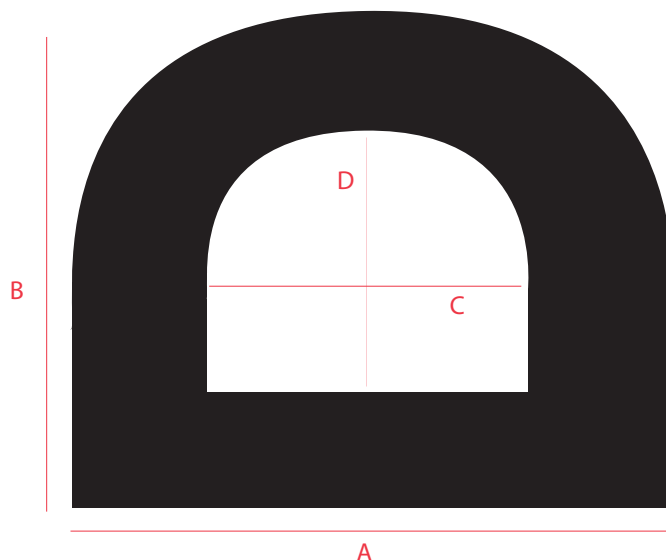
DEFENSAS NÁUTICAS

DEFENSA FORMA TRIANGULAR



REFERENCE	A	B	C	D	LENGTH	COLOUR	KG.
DNNT60501000	60	50	20	30	1000*	BLACK	1,4
DNNT80701000	80	70	7,6	10,6	1000*	BLACK	2,5
DNNT110951000	110	95	10,5	14	1000*	BLACK	4,7
DNNT1501501000	150	150	14,2	21	1000*	BLACK	10,0
DNNT2002001000	200	200	19	28	1000**	BLACK	17,9
DNBT60501000	60	50	20	30	1000*	WHITE	1,1
DNBT80701000	80	70	7,6	10,6	1000*	WHITE	1,9
DNBT110951000	110	95	10,5	14	1000*	WHITE	4,5
DNBT1501501000	150	150	14,2	21	1000*	WHITE	9,7
DNBT2002001000	200	200	19	28	1000**	WHITE	17,3
* Maximum length of piece: 3.000 mm ** Maximum length of piece: 2.000 mm							

DEFENSA FORMA D

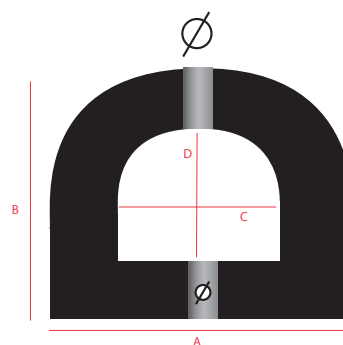
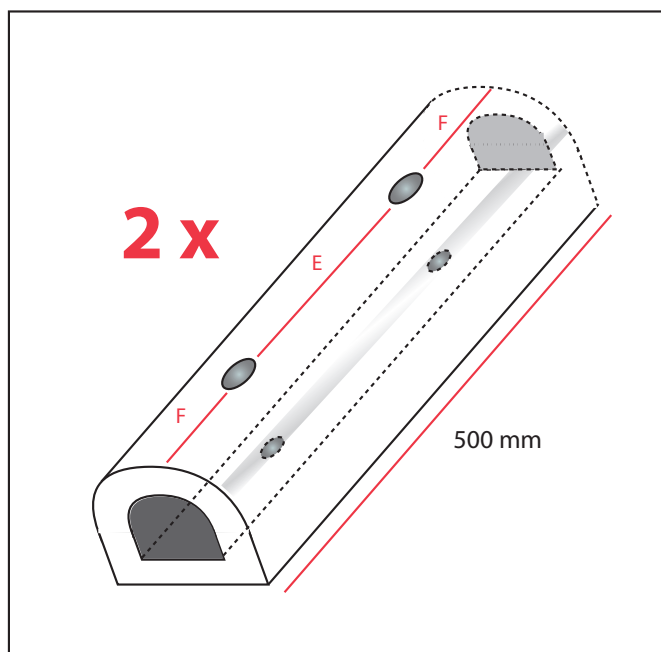


REFERENCE	A	B	C	D	LENGTH	COLOUR	KG.
DNND50601000	50	60	20	30	1000*	BLACK	2,8
DNND80701000	80	70	44	34	1000*	BLACK	4,7
DNND100901000	100	90	60	50	1000*	BLACK	6,7
DNND1501501000	150	150	90	90	1000*	BLACK	16,6
DNND2002001000	195	195	195	195	1000**	BLACK	28,6
DNBD50601000	50	60	20	30	1000*	WHITE	2,7
DNBD80701000	80	70	44	34	1000*	WHITE	4,5
DNBD100901000	100	90	60	50	1000*	WHITE	6,2
DNBD1501501000	150	150	90	90	1000*	WHITE	16,1
DNBD2002001000	195	195	195	195	1000**	WHITE	27,6
* Maximum length of piece: 3.000 mm							
** Maximum length of piece: 1.500 mm							

Unit of measure: millimeters (mm)

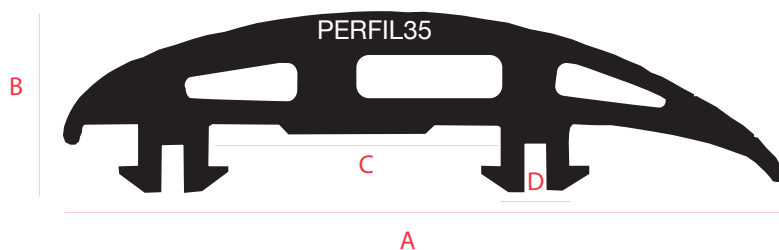
The weight of these references is based on EPDM 70Sh manufactured.
Manufacturing available in EPDM, NBR and Viton/FKM. White and Black colors.

DEFENSA KIT FORMA D + ANCLAJES

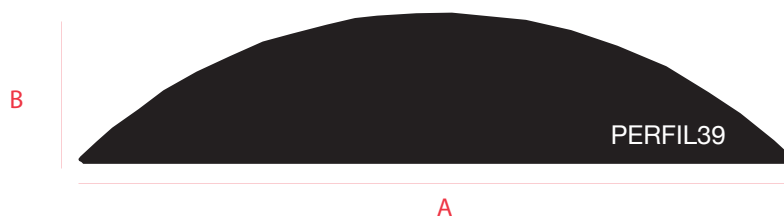


REFERENCE	A	B	C	D	E	F	KG.
DNBD10090500F	100	90	60	50	300	100	3,35
Kit con 2 unidades de defensa + 4 anclajes a medida.				Ø	Ø	LENGTH	COLOUR
				25	14	500	WHITE

DEFENSA ESPECIAL



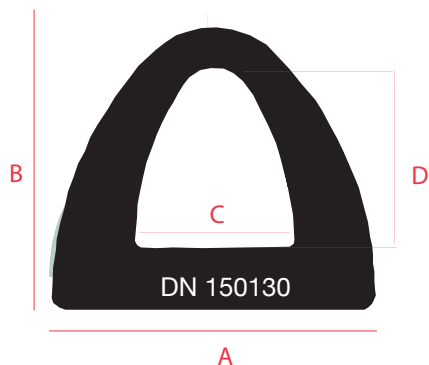
REFERENCE	A	B	C	D	LENGTH	COLOUR	KG.
PERFIL35	148,5	37,1	61	14	1000*	BLACK	2,86
* Maximum length of piece: 3.000 mm							



REFERENCE	A	B	C	D	LENGTH	COLOUR	KG.
PERFIL39	190	40	-	-	1000*	BLACK	6,83
* Maximum length of piece: 3.000 mm							

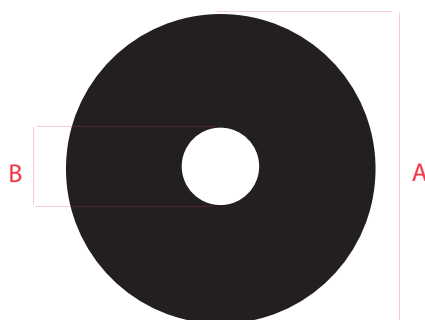
Unit of measure: millimeters (mm)
The weight of these references is based on EPDM 70Sh manufactured.
Manufacturing available in EPDM, NBR and Viton/FKM. White and Black colors.

DEFENSA ESPECIAL



REFERENCE	A	B	C	D	LENGTH	COLOUR	KG.
DN 150130	150	130	75	84	1000*	BLACK	12,97
DN 9074	94	70	40	42	1000*	BLACK	4,82

* Maximum length of piece: 2.500 mm

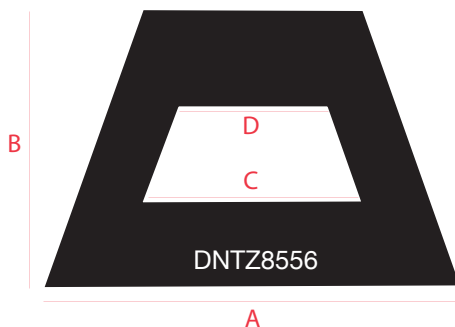


REFERENCE	A	B	C	D	LENGTH	COLOUR	KG.
PERFILCIR	100	20	-	-	1000*	BLACK	19,0
DNC160130	160	130	-	-	1000*	BLACK	8,81

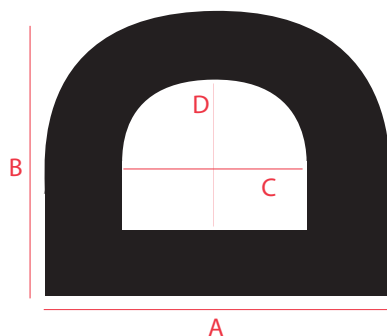
* Maximum length of piece: 3.000 mm

Unit of measure: millimeters (mm)
The weight of these references is based on EPDM 70Sh manufactured.
Manufacturing available in EPDM, NBR and Viton/FKM. White and Black colors.

DEFENSA ESPECIAL



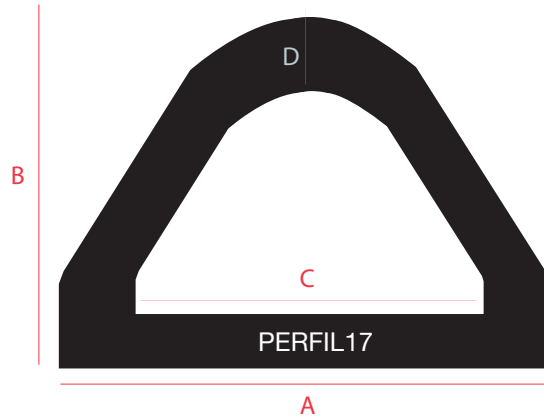
REFERENCE	A	B	C	D	LENGTH	COLOUR	KG.
DNTZ8556	150	130	75	84	1000*	BLACK	12,97
* Maximum length of piece: 2.500 mm							
** Maximum length of piece: 3.000 mm							



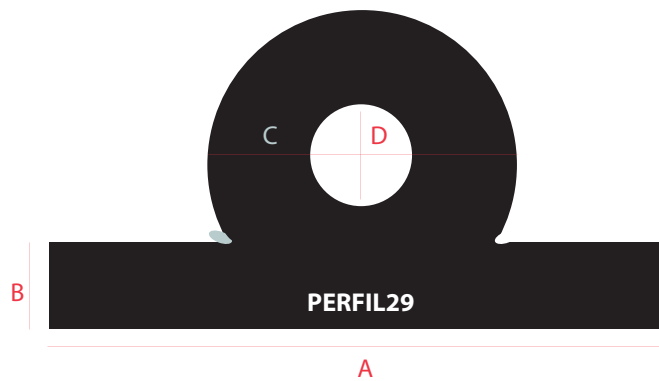
REFERENCE	A	B	C	D	LENGTH	COLOUR	KG.
DNND25151000	25	15	15	5,8	1000*	BLACK	0,31
DNND60501000	60	50	60	30	1000*	BLACK	4,0
DNND90601000	90	60	60	30	1000*	BLACK	4,0
DNND90801000	90	80	60	50	1000*	BLACK	6,8
DNND1101051000	110	105	50	50	1000*	BLACK	10,3
DNND1201201000	120	120	72	72	1000*	BLACK	10,6
* Maximum length of piece: 3.000 mm							

Unit of measure: millimeters (mm)
The weight of these references is based on EPDM 70Sh manufactured.
Manufacturing available in EPDM, NBR and Viton/FKM. White and Black colors.

DEFENSA ESPECIAL



REFERENCE	A	B	C	D	LENGTH	COLOUR	KG.
PERFIL17	130,5	100	10	20	1000*	BLACK	5,96
* Maximum length of piece: 3.000 mm							



REFERENCE	A	B	C	D	LENGTH	COLOUR	KG.
PERFIL29	152	19	76	25	1000*	BLACK	7,81
* Maximum length of piece: 3.000 mm							

Unit of measure: millimeters (mm)

The weight of these references is based on EPDM 70Sh manufactured.
Manufacturing available in EPDM, NBR and Viton/FKM. White and Black colors.

PERFILES

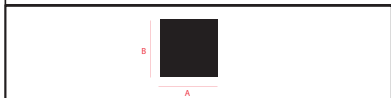
REFERENCE	A	B	C	D	E	COLOUR	KG/MT
PERFIL13	50	15	6	10	-	BLACK	1,00



REFERENCE	A	B	C	D	E	COLOUR	KG/MT
PERFIL11	12,2	7	2	5	5	BLACK	0,08



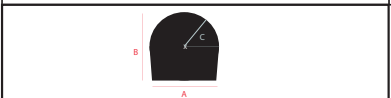
REFERENCE	A	B	C	D	E	COLOUR	KG/MT
PERFIL16	33	33	-	-	-	BLACK	1,40
PERFIL30	35	35	-	-	-	BLACK	1,58
PERFIL32	20	20	-	-	-	BLACK	0,52
PERFIL40	60	60	-	-	-	BLACK	4,64
PERFIL41	15	15	-	-	-	BLACK	0,29
PERFIL42	25	25	-	-	-	BLACK	0,80
PERFIL51	13	13	-	-	-	BLACK	0,22
PERFIL53	16	16	-	-	-	BLACK	0,33



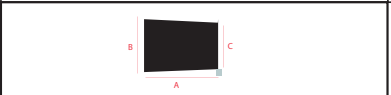
REFERENCE	A	B	C	D	E	COLOUR	KG/MT
PERFIL18	25	15	-	-	-	BLACK	0,48
PERFIL49	20	6	-	-	-	BLACK	0,15



REFERENCE	A	B	C	D	E	COLOUR	KG/MT
PERFIL27	12	13	6,5	-	-	BLACK	1,42



REFERENCE	A	B	C	D	E	COLOUR	KG/MT
PERFIL16	14	10	8	-	-	BLACK	0,33



REFERENCE	A	B	C	D	E	COLOUR	KG/MT
PERFIL31	15	15	10	5	-	BLACK	0,61

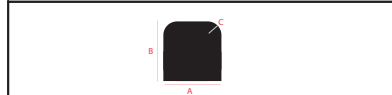


Unit of measure: millimeters (mm)

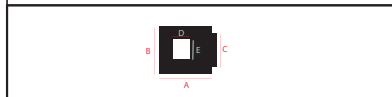
The weight of these references is based on EPDM Black 70Sh manufactured.
Manufacturing available in EPDM, NBR and Viton/FKM. White and Black colors.

PERFILES

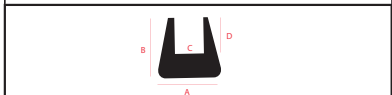
REFERENCE	A	B	C	D	E	COLOUR	KG/MT
PERFIL33	34	35	8	-	-	BLACK	1,46



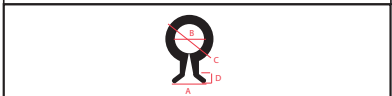
REFERENCE	A	B	C	D	E	COLOUR	KG/MT
PERFIL34	19	17	12	6	7	BLACK	0,35



REFERENCE	A	B	C	D	E	COLOUR	KG/MT
PERFIL38	26	25	12	16	-	BLACK	0,42



REFERENCE	A	B	C	D	E	COLOUR	KG/MT
PERFIL43	17,23	14	22	3,43	-	BLACK	0,35



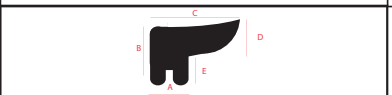
REFERENCE	A	B	C	D	E	COLOUR	KG/MT
PERFIL44	30	20	10	-	-	BLACK	0,65



REFERENCE	A	B	C	D	E	COLOUR	KG/MT
PERFIL47	25	13	-	-	-	BLACK	0,19

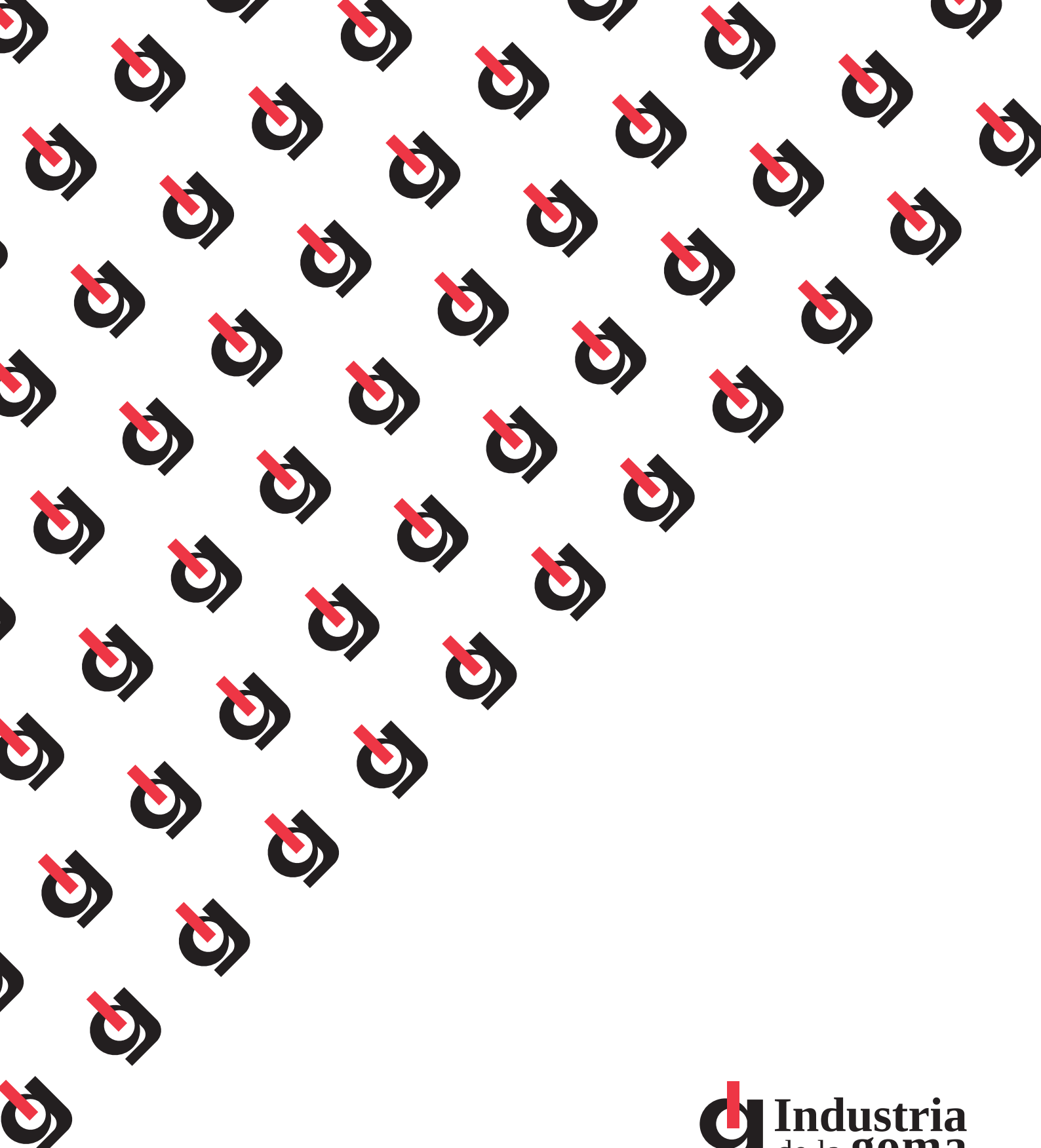


REFERENCE	A	B	C	D	E	COLOUR	KG/MT
PERFIL48	11	17,9	27	13	9	BLACK	0,41



Unit of measure: millimeters (mm)

The weight of these references is based on EPDM Black 70Sh manufactured.
Manufacturing available in EPDM, NBR and Viton/FKM. White and Black colors.



 **Industria
de la goma**

Suc de J. Morell S.A.

CARRER PLOM, 41 – 43
POLÍGONO RIU CLAR
43006 TARRAGONA
(TARRAGONA)
TEL. 977 206 520
FAX 977 206 565

info@industriadelagoma.com

www.industriadelagoma.com

Síguenos en:

